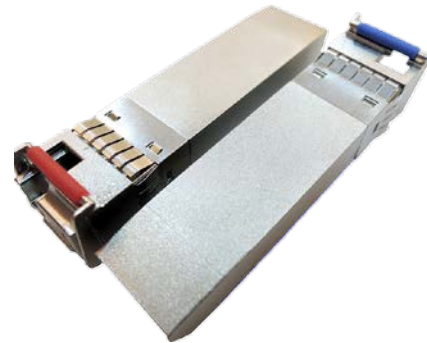


Description

General

The transceiver form SANOC is small form factor pluggable module. It designed expressly for high-speed communication applications that require rates up to 10.5Gb/s, it designed to be compliant with SFF-8472 SFP+ MSA. Digital diagnostic functions are available via an I2C. This module is designed for single-mode-fiber (SMF) and operates at a nominal wavelength of 1270 nm / 1330 nm.



Transmitter Section

The transmitter consists of a high-performance 1330 nm / 1270 nm MQW DFB structure laser in the optical subassembly (OSA), which is housed within a plastic package. In addition, this component is also class 1 laser compliant with according to International Safety Standard IEC-60825.

Receiver Section

The receiver contain of an APD photodiode coupled to a high sensitivity trans-impedance amplifier (TIA) in an OSA.

Features

- Up to 10.5Gbps Data Links
- Up to 60km transmission on SMF
- Power dissipation<1.5W
- 2-wire interface with integrated Digital Diagnostic monitoring
- EEPROM with Serial ID Functionality
- Hot-pluggable SFP+ footprint
- Compliant with SFP+ MSA with LC connector
- Single + 3.3V Power Supply
- Case operating temperature: 0°C~+70°C
- Compliant with SFF-8472
- Compliant to SFF-8431
- RoHS Compliant.
-

Applications

- 10GBASE-BX

Performance Specifications

Absolute Maximum Ratings					
Parameter	Symbol	Min	Typ	Max	Unit
Supply Voltage	V _{CC}	0	-	4	V
Storage Temperature	T _S	-40	-	85	°C
Operating Temperature	Commercial	T _{OP-com}	0	70	°C
	Industrial	T _{OP-ind}	-40	85	°C
General Specifications					
Parameter	Symbol	Min	Typ	Max	Units
Data Rate	B	9.95	10.3125	10.5	Gbps
Supported Link Length on 9/125μm SMF	L	-	-	60	Km
Supply Current	I _{Tx+Rx}	-	-	450	mA
Power Dissipation	P _{Dis}	-	-	1000	mW

Optical and Electrical Characteristics

Transmitter Electrical Characteristics						
Parameter	Symbol	Min	Typ	Max	Unit	
Supply Voltage	V_{CC}	3.15	3.3	3.45	V	
Data Differential Input Voltage	$V_{in, pp}$	180	-	700	mVpp	
Differential line input Impedance	RIN	85	100	115	Ohm	
Transmitter Fault Output-High	VFaultH	2.4	-	Vcc	V	
Transmitter Fault Output-Low	VFaultL	-0.3	-	0.8	V	
Transmitter Disable Voltage- High	VDisH	2	-	Vcc+0.3	V	
Transmitter Disable Voltage- low	VDisL	-0.3	-	0.8	V	
Transmitter Optical Characteristics						
Parameter	Symbol	Min	Typ	Max	Unit	
Output Optical Power	P_O	0	-	5	dBm	
Center Wavelength	SS27A0-60	λ_c	1260	1270	1280	nm
	SS33A0-60		1320	1330	1340	nm
Spectral Width (-20dB)	$\Delta\lambda$	-	-	1	nm	
Side Mode Suppression Ratio	SMSR	30	-	-	dB	
Extinction Ratio	ER	3.5	-	-	dB	
POut@TX Disable Asserted	P_{OFF}	-	-	-30	dBm	

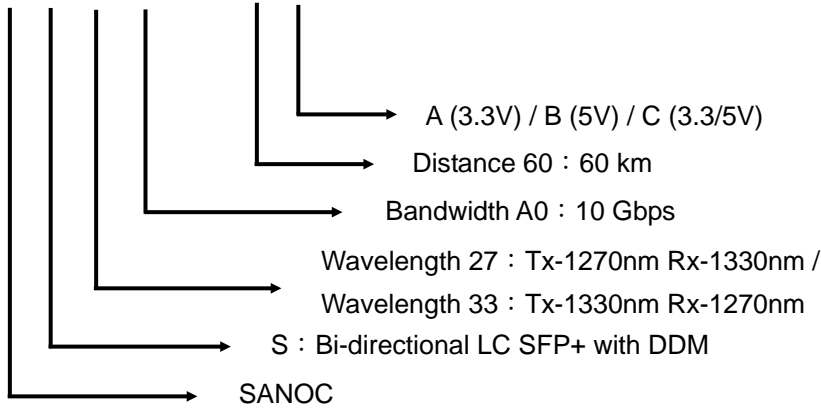
*Measured with a PRBS 2³¹-1 test pattern @10.3125 Gbps.

Receiver Electrical Characteristics						
Parameter	Symbol	Min	Typ	Max	Unit	
Supply Voltage	V_{CC}	3.15	3.3	3.45	V	
Data Differential Output Voltage	$V_{out, pp}$	300	-	850	mVpp	
LOS Output Voltage-High	VLOSH	2	-	Vcc	V	
LOS Output Voltage-Low	VLOSL	-0.3	-	0.4	V	
Receiver Optical Characteristics						
Parameter	Symbol	Min	Typ	Max	Unit	
Maximum Receiver Power	P_{in}	-8	-	-	dBm	
Receiver Sensitivity	P_S	-	-	-20	dBm	
Operating Wavelength	SS33A0-60	λ_c	1260	1270	1280	nm
	SS27A0-60		1320	1330	1340	nm
Signal Detect-Asserted	P_A	-	-	-21	dBm	
Signal Detect-Deasserted	P_D	-35	-	-	dBm	
Signal Detect-Hysteresis	P_A-P_D	0.5	-	5	dB	

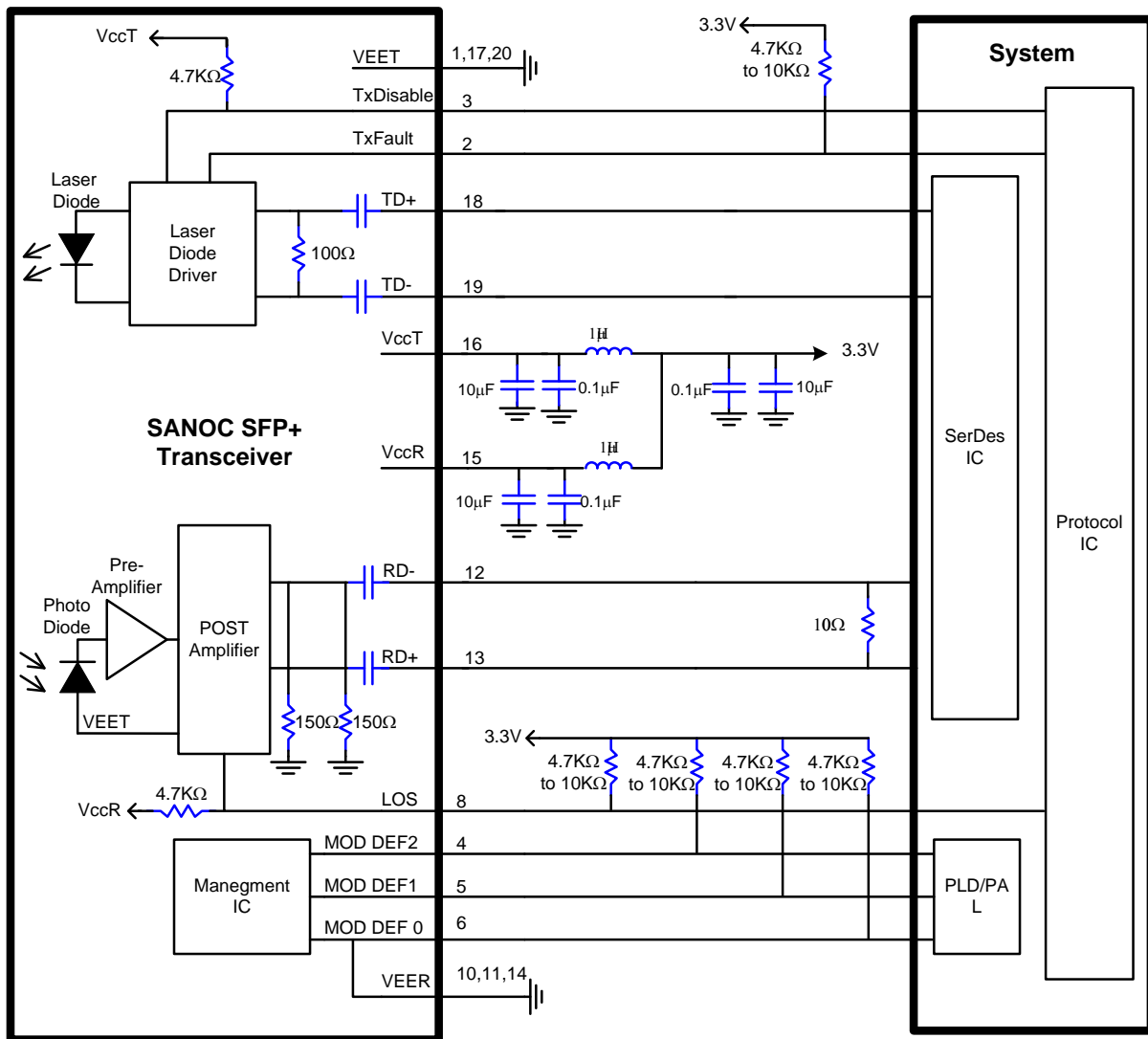
*at BER=10⁻¹² and PRBS 2³¹-1.

Ordering Information

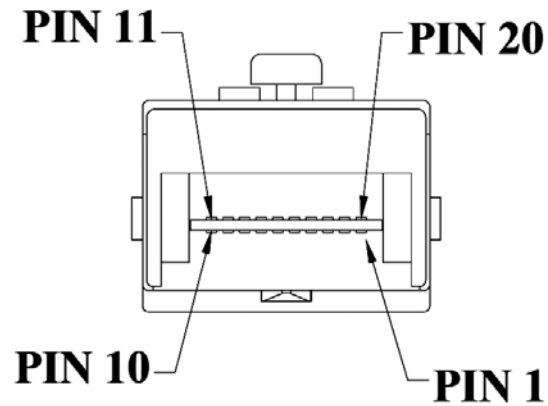
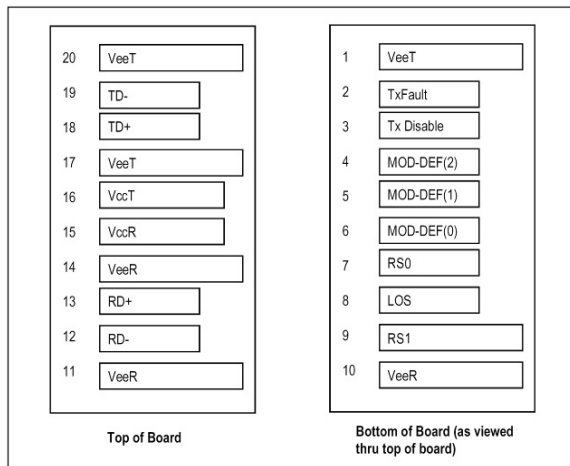
S S 27 A 0 – 60 A T Q Y (WT) → (WT) : Industrial Temp. / None : Commercial Temp.



Recommended Circuit Schematic



SFP Transceiver Electrical Pad Layout



Pinout Table

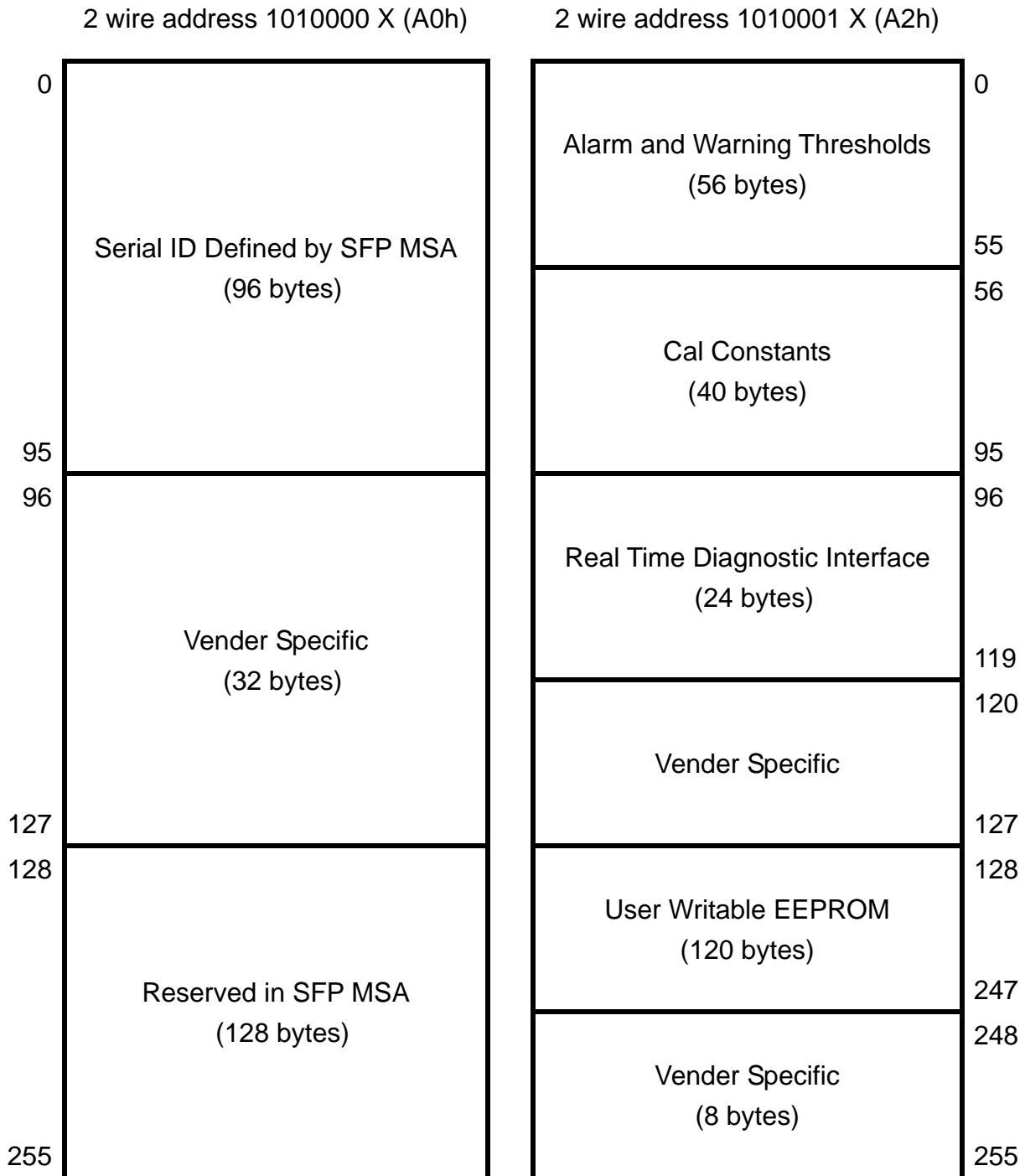
Pin	Symbol	Name/Description	Ref.
1	V _{EET}	Transmitter Ground	
2	T _{FAULT}	Transmitter Fault.	3
3	T _{DIS}	Transmitter Disable. Laser output disabled on high or open.	1
4	MOD_DEF (2)	Module Definition 2. Data line (SDA) for Serial ID.	2
5	MOD_DEF (1)	Module Definition 1. Clock line (SCL) for Serial ID.	2
6	MOD_DEF (0)	Module Definition 0. Grounded within the module.	2
7	RS0	RX Rate Select (LVTTTL). This pin has an internal 30k pulldown to ground. A signal on this pin will not affect module performance.	
8	LOS	Loss of Signal indication. Logic 0 indicates normal operation.	3
9	RS1	TX Rate Select (LVTTTL). This pin has an internal 30k pulldown to ground. A signal on this pin will not affect module performance.	
10	V _{EER}	Receiver Ground	
11	V _{EER}	Receiver Ground	
12	RD-	Receiver Inverted DATA out. AC Coupled	
13	RD+	Receiver Non-inverted DATA out. AC Coupled	
14	V _{EER}	Receiver Ground	
15	V _{CCR}	Receiver Power Supply	
16	V _{CCT}	Transmitter Power Supply	
17	V _{EET}	Transmitter Ground	
18	TD+	Transmitter Non-Inverted DATA in. 100 ohm termination between TD+ and TD-, AC Coupled thereafter.	
19	TD-	Transmitter Inverted DATA in. See TD+	
20	V _{EET}	Transmitter Ground	

Notes:

1. Laser output disabled on TDIS >2.0V or open, enabled on TDIS <0.8V.
2. Should be pulled up with 4.7k – 10kohms on host board to a voltage between 2.0V and 5.5V. MOD_DEF (0) pulls line low to indicate module is plugged in.
3. TX-Fault and LOS are open collector output. Should be pulled up with 4.7k – 10k ohms on host board to a voltage between 2.0V and 5.5V.

Memory map

The memory map in the following describes an extension to the memory map defined in SFP MSA. The enhanced interface uses the two wire serial bus address 1010001X(A2h) to provide diagnostic information about the module's present operating conditions.



2 Wire Address (A0h, interface ID: Data Fields)

Address	Bytes	Name	Description
BASE ID FIELDS			
0	1	Identifier	Type of transceiver
1	1	Ext. Identifier	Extended identifier of type of transceiver
2	1	Connector	Code for connector type
3-10	8	Transceiver	Code for electronic or optical compatibility
11	1	Encoding	Code for high speed serial encoding algorithm
12	1	BR, Nominal	Nominal signal rate, units of 100MBd.
13	1	Rate Identifier	Type of rate select functionality
14	1	Length(SMF,km)	Link length supported for single mode fiber, units of km
15	1	Length (SMF)	Link length supported for single mode fiber, units of 100 m
16	1	Length (50μm)	Link length supported for 50 μm OM2 fiber, units of 10 m
17	1	Length (62.5μm)	Link length supported for 62.5 μm OM1 fiber, units of 10 m
18	1	Length (cable)	Link length supported for copper or direct attach cable, units of m
19	1	Length (OM3)	Link length supported for 50 μm OM3 fiber, units of 10 m
20-35	16	Vendor name	SFP vendor name (ASCII)
36	1	Transceiver	Code for electronic or optical compatibility
37-39	3	Vendor OUI	SFP vendor IEEE company ID
40-55	16	Vendor PN	Part number provided by SFP vendor (ASCII)
56-59	4	Vendor rev	Revision level for part number provided by vendor (ASCII)
60-61	2	Wavelength	Laser wavelength (Passive/Active Cable Specification Compliance)
62	1	Unallocated	
63	1	CC_BASE	Check code for Base ID Fields (addresses 0 to 62)
EXTENDED ID FIELDS			
64-65	2	Options	Indicates which optional transceiver signals are implemented
66	1	BR, max	Upper bit rate margin, units of %
67	1	BR, min	Lower bit rate margin, units of %
68-83	16	Vendor SN	Serial number provided by vendor (ASCII)
84-91	8	Date code	Vendor's manufacturing date code
92	1	Diagnostic Monitoring Type	Indicates which type of diagnostic monitoring is implemented (if any) in the transceiver
93	1	Enhanced Options	Indicates which optional enhanced features are implemented (if any) in the transceiver
94	1	SFF-8472 Compliance	Indicates which revision of SFF-8472 the transceiver complies with.
95	1	CC_EXT	Check code for the Extended ID Fields (addresses 64 to 94)
VENDOR SPECIFIC ID FIELDS			
96-127	32	Vendor Specific	Vendor Specific EEPROM
128-255	128	Reserved	Reserved for SFF-8079

2 Wire Address (A2h, Digital Diagnostic Monitoring Interface)

Alarm and Warning Thresholds

Address	Bytes	Name
00-01	2	Temp High Alarm Thresholds
02-03	2	Temp Low Alarm Thresholds
04-05	2	Temp High Warning Thresholds
06-07	2	Temp Low Warning Thresholds
08-09	2	Voltage High Alarm Thresholds
10-11	2	Voltage Low Alarm Thresholds
12-13	2	Voltage High Warning Thresholds
14-15	2	Voltage Low Warning Thresholds
16-17	2	Bias High Alarm Thresholds
18-19	2	Bias Low Alarm Thresholds
20-21	2	Bias High Warning Thresholds
22-23	2	Bias Low Warning Thresholds
24-25	2	TX Power High Alarm Thresholds
26-27	2	TX Power Low Alarm Thresholds
28-29	2	TX Power High Warning Thresholds
30-31	2	TX Power Low Warning Thresholds
32-33	2	RX Power High Alarm Thresholds
34-35	2	RX Power Low Alarm Thresholds
36-37	2	RX Power High Warning Thresholds
38-39	2	RX Power Low Warning Thresholds
40-55	16	Reserved

Calibration constants (2 Wire Address A2h)

Address	Bytes	Name	Description
56-59	4	Rx_PWR(4)	Rx_PWR(4) is set to zero for "internally calibrated" devices.
60-63	4	Rx_PWR(3)	Rx_PWR(3) is set to zero for "internally calibrated" devices.
64-67	4	Rx_PWR(2)	Rx_PWR(2) is set to zero for "internally calibrated" devices.
68-71	4	Rx_PWR(1)	Rx_PWR(1) is set to 1 for "internally calibrated" devices.
72-75	4	Rx_PWR(0)	Rx_PWR(0) is set to zero for "internally calibrated" devices.
76-77	2	Tx_I(Slope)	Tx_I(Slope) is set to 1 for "internally calibrated" devices.
78-79	2	Tx_I(Offset)	Tx_I(Offset) is set to zero for "internally calibrated" devices.
80-81	2	Tx_PWR(Slope)	Tx_PWR(Slope) is set to 1 for "internally calibrated" devices.
82-83	2	Tx_PWR(Offset)	Tx_PWR(Offset) is set to zero for "internally calibrated" devices.
84-85	2	T (Slope)	T(Slope) is set to 1 for "internally calibrated" devices.
86-87	2	T (Offset)	T(Offset) is set to zero for "internally calibrated" devices.
88-89	2	V (Slope)	V(Slope) is set to 1 for "internally calibrated" devices.
90-91	2	V (Offset)	V(Offset) is set to zero for "internally calibrated" devices.
92-94	3	Reserved	Reserved
95	1	Checksum	Byte 95 contains the low order 8 bits of the sum of bytes 0 – 94.

Digital Monitoring Values (2 Wire Address A2h)

The digital value conversions are updated every 13ms (nominal) or 20ms (max) in rotation. After getting digital value, each measurement could be obtained by multiplying digital value by corresponding LSB value:

Temperature (Signed twos complement value)

A2h Byte 96 (Temperature MSB)								A2h Byte 97 (Temperature LSB)							
S	2 ⁶	2 ⁵	2 ⁴	2 ³	2 ²	2 ¹	2 ⁰	2 ⁻¹	2 ⁻²	2 ⁻³	2 ⁻⁴	2 ⁻⁵	2 ⁻⁶	2 ⁻⁷	2 ⁻⁸

$$\text{Temperature} = \text{Temp (digital monitoring value)} \times \text{LSB}_{\text{Temp}} = \text{Temp (digital monitoring value)} \times \frac{1}{256}$$

V_{cc}, TX Bias, TX Power, RX Power (Unsigned values)

A2h Byte 98 (V _{cc} MSB)								A2h Byte 99 (V _{cc} LSB)							
A2h Byte 100 (TX Bias MSB)								A2h Byte 101 (TX Bias LSB)							
A2h Byte 102 (TX Power MSB)								A2h Byte 103 (TX Power LSB)							
A2h Byte 104 (RX Power MSB)								A2h Byte 105 (RX Power LSB)							
2 ¹⁵	2 ¹⁴	2 ¹³	2 ¹²	2 ¹¹	2 ¹⁰	2 ⁹	2 ⁸	2 ⁷	2 ⁶	2 ⁵	2 ⁴	2 ³	2 ²	2 ¹	2 ⁰

$$V_{cc} = V_{cc}(\text{digital monitoring value}) \times \text{LSB}_{V_{cc}} = V_{cc}(\text{digital monitoring value}) \times 100\mu\text{V}$$

$$\text{TX Bias Current} = \text{TX Bias Current (Digital Value)} \times \text{LSB}_{\text{TX,Bias}} = \text{TX Bias Current (Digital Value)} \times 2\mu\text{A}$$

$$\text{TX Power} = \text{TX Power (Digital Value)} \times \text{LSB}_{\text{TXPower}} = \text{TX Power (Digital Value)} \times 0.1\mu\text{W}$$

$$\text{RX Power} = \text{RX Power (Digital Value)} \times \text{LSB}_{\text{RXPower}} = \text{RX Power (Digital Value)} \times 0.1\mu\text{W}$$

Digital Diagnostic Monitor Accuracy

Parameter	Typical Value	Note
Transceiver Temperature	± 3°C	T _{OP-min} ~T _{OP-max}
Power Supply Voltage	± 3%	V _{CC}
TX Bias Current	± 10%	
TX Optical Power	± 3dB	P _{O-min} ~P _{O-max}
RX Optical Power	± 3dB	P _S ~P _{in}

Status Bits (2 Wire Address A2h)

Address	Bit	Name	Description
110	7	TX Disable State	Digital state of the TX Disable Input Pin.
110	6	Soft TX Disable	Not implement.
110	5	Reserved	
110	4	RX Rate Select State	Not implement.
110	3	Soft RX Rate Select	Not implement.
110	2	TX Fault	Digital state of the TX Fault Output Pin.
110	1	LOS	Digital state of the LOS Output Pin.
110	0	Data_Ready_Bar	

Alarm and Warning Flag Bits (2 Wire Address A2h)

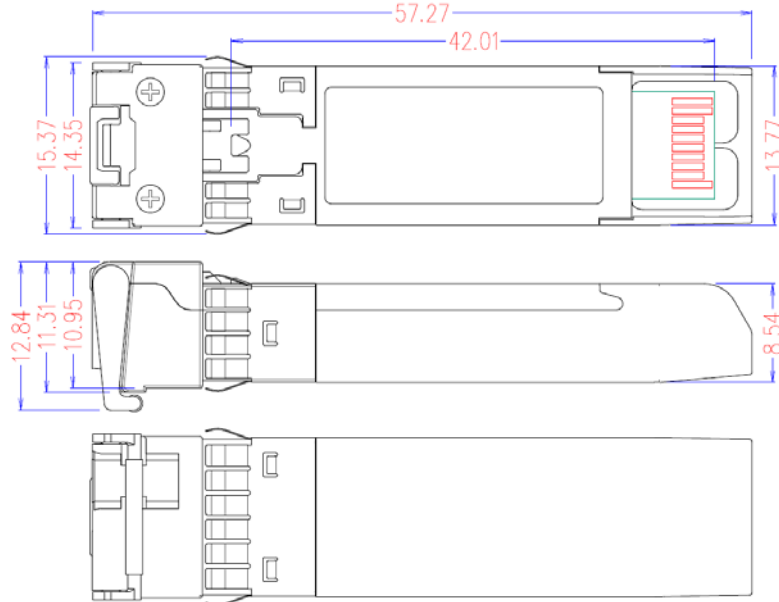
Address	Bit	Name	Description
112	7	Temp High Alarm	Set when internal temperature exceeds high alarm level.
112	6	Temp Low Alarm	Set when internal temperature is below low alarm level.
112	5	Vcc High Alarm	Set when internal supply voltage exceeds high alarm level.
112	4	Vcc Low Alarm	Set when internal supply voltage is below low alarm level.
112	3	TX Bias High Alarm	Set when TX Bias current exceeds high alarm level.
112	2	TX Bias Low Alarm	Set when TX Bias current is below low alarm level.
112	1	TX Power High Alarm	Set when TX output power exceeds high alarm level.
112	0	TX Power Low Alarm	Set when TX output power is below low alarm level.
113	7	RX Power High Alarm	Set when Received Power exceeds high alarm level.
113	6	RX Power Low Alarm	Set when Received Power is below low alarm level.
113	5-0	Reserved Alarm	
114	All	Reserved	
115	All	Reserved	
116	7	Temp High Warning	Set when internal temperature exceeds high warning level.
116	6	Temp Low Warning	Set when internal temperature is below low warning level.
116	5	Vcc High Warning	Set when internal supply voltage exceeds high warning level.
116	4	Vcc Low Warning	Set when internal supply voltage is below low warning level.
116	3	TX Bias High Warning	Set when TX Bias current exceeds high warning level.
116	2	TX Bias Low Warning	Set when TX Bias current is below low warning level.
116	1	TX Power High Warning	Set when TX output power exceeds high warning level.
116	0	TX Power Low Warning	Set when TX output power is below low warning level.
117	7	RX Power High Warning	Set when Received Power exceeds high warning level.
117	6	RX Power Low Warning	Set when Received Power is below low warning level.
117	5-0	Reserved Warning	
118	All	Reserved	
119	All	Reserved	

Package Outline Drawing

(1)LC Type (SS Series)

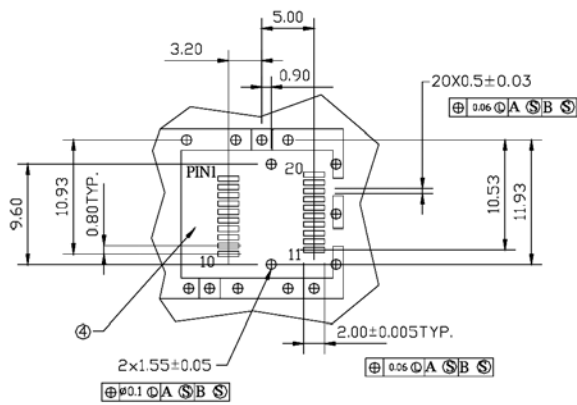
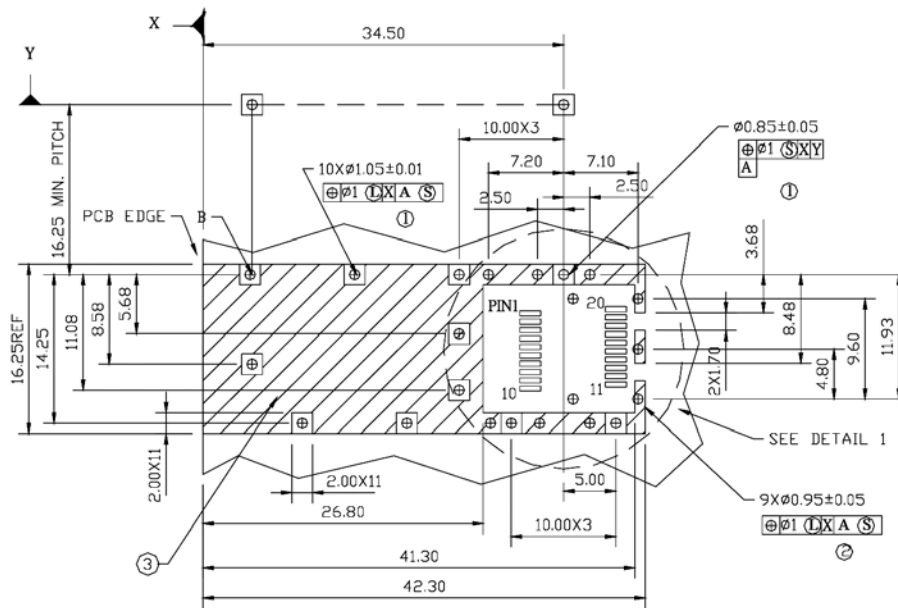
DIMENSIONS ARE IN MILLIMETERS (unit:mm)

ALL DIMENSIONS ARE 0.2mm UNLESS OTHERWISE SPECIFIED



單位：mm 公差：±0.2mm

SFP host board mechanical layout



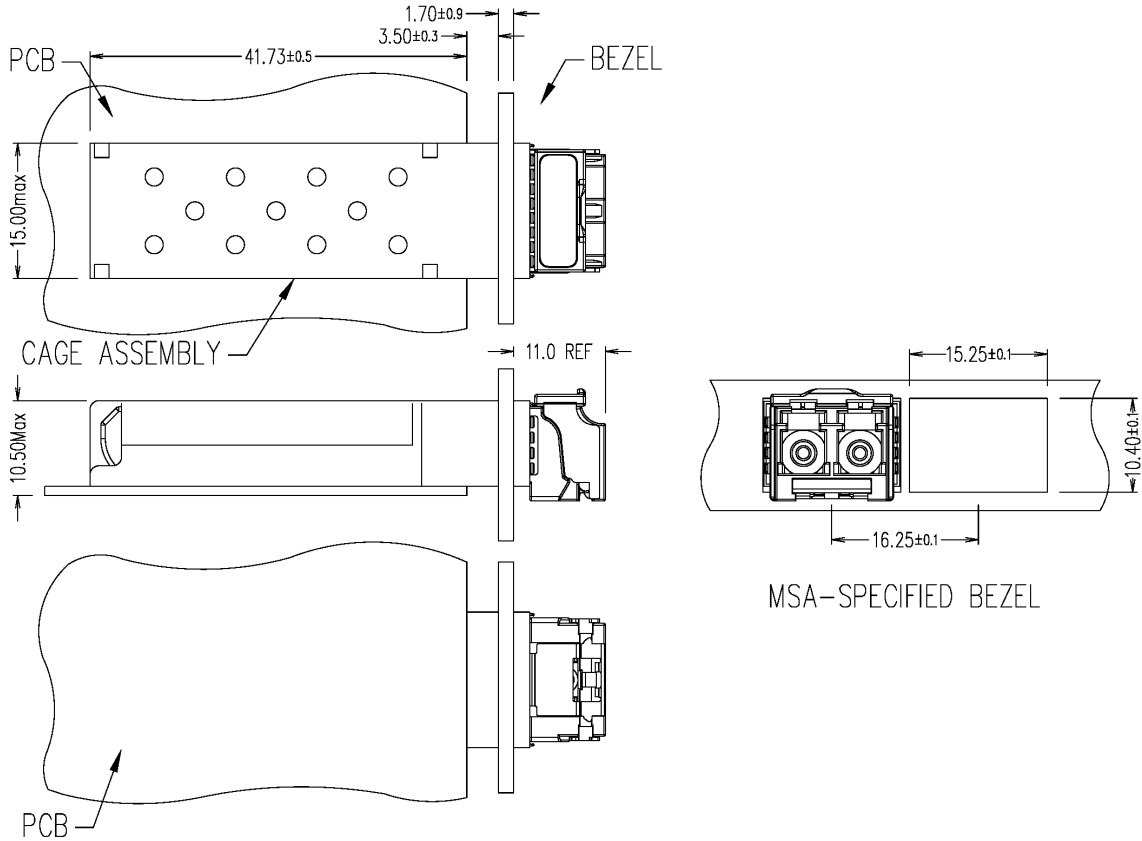
DETAIL 1

LEGEND

- 1.PADS AND VIAS ARE CHASSIS GROUND
- 2.THROUGH HOLES, PLATING OPTIONAL
- 3.HATCHED AREA DENOTES COMPONENT AND TRACE KEEPOUT(EXCEPT CHASSIS GROUND)
- 4.AREA DENOTES COMPONENT KEEPOUT (TRACES ALLOWED)

DIMENSIONS ARE IN MILLIMETERS

Assembly drawing



Eye Safety

The transceiver is a class 1 laser product. It complies with EN 60825-1 and FDA 21 CFR 1040.10 and 1040.11. In order to meet laser safety requirements the transceiver shall be operated within the Absolute Maximum Ratings.

Caution

All adjustments have been done at the factory before the shipment of the devices. No maintenance and user serviceable part is required. Tampering with and modifying the performance of the device will result in voided product warranty.

文件名稱	SS27.33A0-60ATQY		文件編號	24-2733A060122Q	
版本	發行日期	撰寫者/修改者	變更內容		
V3.0	2015/8/13	潘瑋君	重新發行		
V3.3	2015/10/27	潘瑋君	加入文件履歷		
核 准	廖育聖	制 定 人	潘瑋君	制訂單位	研發部
				發行蓋章處	